



# LUMINO

## Streetlight



The LUMINO Streetlight, seamlessly combines advanced technology with efficiency to deliver optimal performance tailored to various project needs. Offering a range of options, the range is suitable for numerous applications including roadways, area lighting and carparks.

per watt efficiency, offers flexible mounting options and the availability of an optional PE Cell accessory for enhanced functionality. The fixtures comes standard with a 7-pin NEMA socket which ensure that it is smart-city ready.

This luminaire is both versatile and reliable. LUMINO Streetlight features a robust die-cast aluminum construction ensuring durability, achieving an impressive 150 lumens



## Benefits

### Smart city ready

- Supplied with 7-pin NEMA socket as standards
- 1-10V dimmable

### Various options

- 8 output options; 4,500lms to 36,000lms (30W to 240W)
- Options for 3000K, 4000K and 5000K

### High reliability

- Independent 10KV surge protection
- Robust die-cast aluminum body
- High protection level IP66 & IK08

### Adaptable Mounting

- Side and post top mountable for flexible applications
- Suitable for mounting on 40~60mm diameter
- Tilt angle adjustable

## Applications

- Roadway and street lighting
- Carparks and area lighting
- Pathways and building surrounds

## Technical Data

### Optical Specifications

Power		30W	60W	80W	120W	150W	180W	200W	240W
Luminous Flux	@4000K	4500	<b>9000</b>	12000	18000	22500	27000	30000	36000
Efficacy	@4000K	150 lm/W							
CCT		4000K (3000K and 5000K options available)							
CRI		>70							
SDCM		≤ 5							
Beam Angle		Type II							

### Electrical and Mechanical Specifications

Input Voltage	120-277V AC 50-60Hz								
Power Consumption	30W	60W	80W	120W	150W	180W	200W	240W	
Power Factor	>0.9								
Total Harmonic Distortion	<20%								
Surge Protection	Independent surge protection, 10KV line-to-Neutral, Line-to-Ground 10KV								
Dimension (mm)	467*175*88	467*175*88	564*221*88	564*221*88	642*241*88	642*241*88	740*276*88	740*276*88	
Weight (kg)	1.56	1.56	2.6	2.6	3.0	3.0	3.77	3.77	
Optical	PC (Polycarbonate)								
Housing	Die-Cast Aluminum								
Colour	Black- RAL9004								

### System Specifications

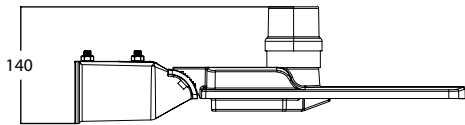
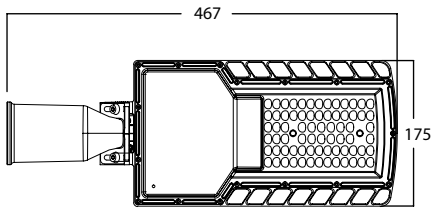
Power	AC Power, 120-277V 50-60Hz
Control	0-10V Diming
Mounting	ø33.4~ø60mm mounting size, side or top mounting
Operating Temperature	-25°C-40°C
Environment	IP66/IK08
Lumen Maintenance	50000 Hrs(Ta ≤ 25°C L70/B50)
Warranty	5 years
Safety Approval	AS/NZS 60598.1, AS NZS 60598.2.3, IEC 62031 AS/NZS 61347.1, AS/NZS 61347.2.13 IEC TR 62778, IEC 62471
Certification	SAA, RCM

# LUMINO Streetlight

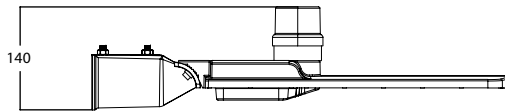
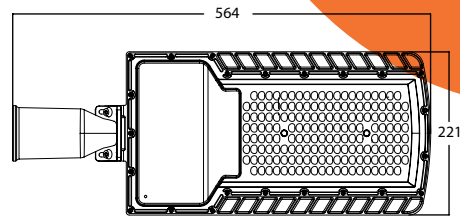
DATASHEET

## Dimensions (mm)

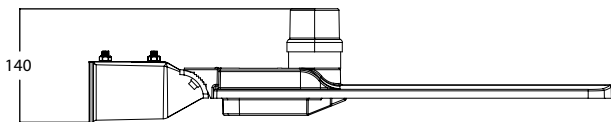
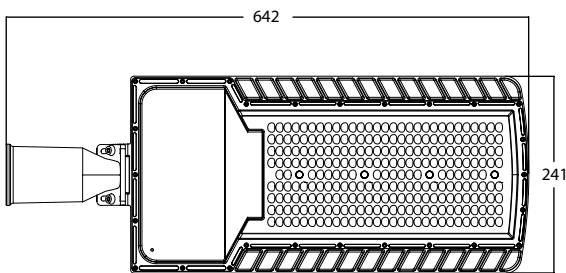
30W/60W



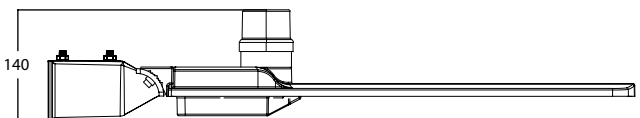
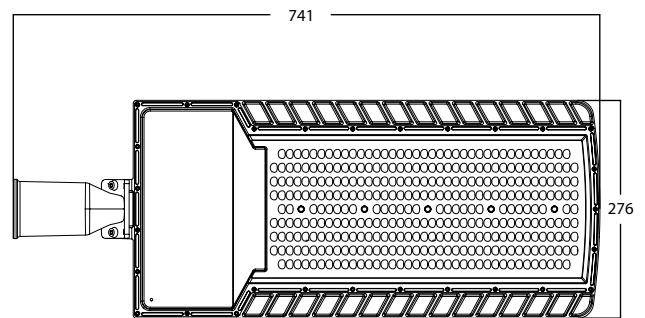
80W/120W



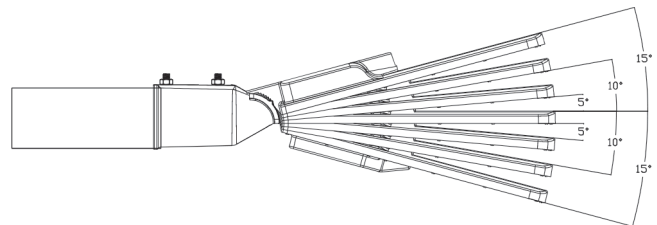
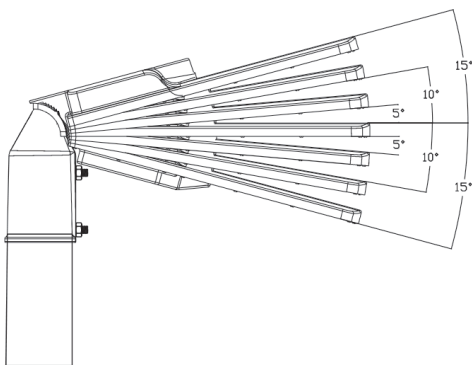
150W/180W



200W/240W



## Adjustable Angle

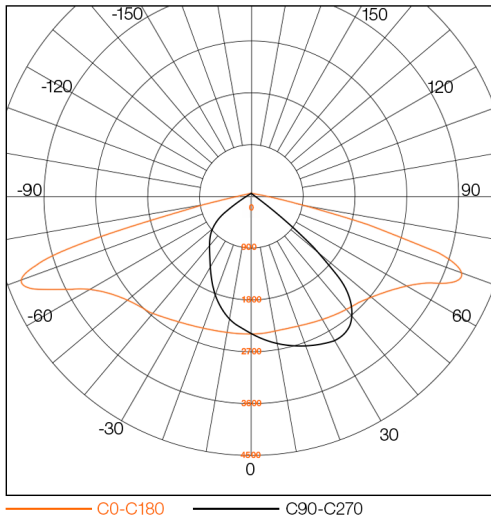


The mounting shaft is installed at 90°, and the Angle can be adjusted at every 5° interval, and the maximum up and down can be adjusted at 15°

## Photometrics

Light Distribution Curve

Type II



## Ordering Codes

### Fixture

Product Reference	Product Code	SAP Code	EAN-13	Power (W)	Lumens	CCT	Fixture Dimension (mm)
LUMINO ST GEN 30W 840 IP66 IK10 10kV SPD NEMA T2 BLACK 60mm SPIGOT	LMST30W840T2	4001258	9353931010152	30	4500	4000K	467*175*140
LUMINO ST GEN 60W 840 IP66 IK10 10kV SPD NEMA T2 BLACK 60mm SPIGOT	LMST60W840T2	4001259	9353931010169	60	9000		467*175*140
LUMINO ST GEN 80W 840 IP66 IK10 10kV SPD NEMA T2 BLACK 60mm SPIGOT	LMST80W840T2	4001260	9353931010176	80	12000		564*221*140
LUMINO ST GEN 120W 840 IP66 IK10 10kV SPD NEMA T2 BLACK 60mm SPIGOT	LMST120W840T2	4001261	9353931010183	120	18000		564*221*140
LUMINO ST GEN 150W 840 IP66 IK10 10kV SPD NEMA T2 BLACK 60mm SPIGOT	LMST150W840T2	4001262	9353931010190	150	22500		642*241*140
LUMINO ST GEN 180W 840 IP66 IK10 10kV SPD NEMA T2 BLACK 60mm SPIGOT	LMST180W840T2	4001263	9353931010206	180	27000		642*241*140
LUMINO ST GEN 200W 840 IP66 IK10 10kV SPD NEMA T2 BLACK 60mm SPIGOT	LMST200W840T2	4001264	9353931010213	200	30000		740*276*140
LUMINO ST GEN 240W 840 IP66 IK10 10kV SPD NEMA T2 BLACK 60mm SPIGOT	LMST240W840T2	4001265	9353931010220	240	36000		740*276*140

### Accessory

Product Reference	Product Code	SAP Code	EAN-13
HS ST IP65 PE CELL FOR NEMA SOCKET	HSNEMAPE	4001266	9353931010237
HS ST HORIZONTAL WALL MOUNTING BRACKET BLACK - SPIGOT SIZE 40-60mm	HSWMBH4060	4001267	9353931010244
HS ST VERTICAL WALL MOUNTING BRACKET BLACK - SPIGOT SIZE 40-60mm	HSWMBV4060	4001268	9353931010251
HS ST SPIGOT ADAPTOR BLACK - SIZE 60 -76mm	HSSA6076	4001269	9353931010268